

PROJECT NAME:	
CATALOG NUMBER:	FIXTURE TYPE:
VOLTS/WATTS:	LAMPS/BOARD:



DUSK TO DAWN

OUTDOOR LIGHTING

**REPLACES
150W-250W MH**

FEATURES

- Die Cast Aluminum Housing
- Bronze Architectural Powder Coat Finish
- Opal Acrylic Lens
- 4000K
- Rated for Wet Location
- Installs With or Without Arm (Included)
- Universal 120 - 277 Volts
- Supplied with Twist Lock Photocell for 120 - 277 V
- 5 Year Warranty



LED SYSTEM

Calculated L70 (TM-21)	>96K ⁽¹⁾
Delivered Lumens	3,624 lm
Total Input Watts	50 W
Luminaire Efficacy Rating (LER)	72 lm/W
Correlated Color Temperature (CCT)	> 80
Color Rendering Index (CRI)	4000 K
Max Ambient Temp	115° F ⁽³⁾
Universal Dimmable Driver	120-277 V

SUITABLE APPLICATIONS

- Barns
- Buildings
- General Area Lighting
- Pedestrian Walkways

LED System data above based on D2D-50WLED-UNIV-40

⁽¹⁾LED Lumen Maintenance Estimates based on TM-21 projections for the light source at 25° C ambient



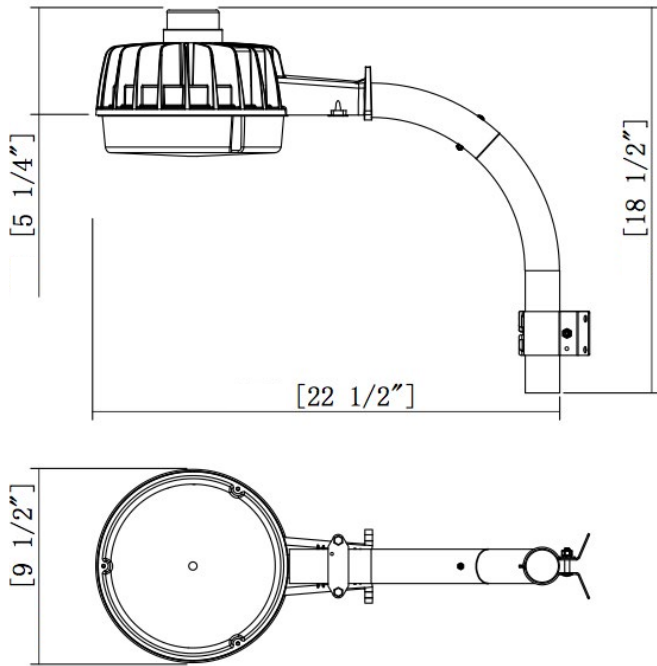
complies with
RoHS

Ordering Guide

Part Number	Description
D2D-50WLED-UNIV-40-PCTLR-ARM	Dusk To Dawn With Photocontrol And Conduit Arm (251/4" / 64mm) 50W 120-277V, 4000K, Color Temp.

DUSK TO DAWN

OUTDOOR LIGHTING



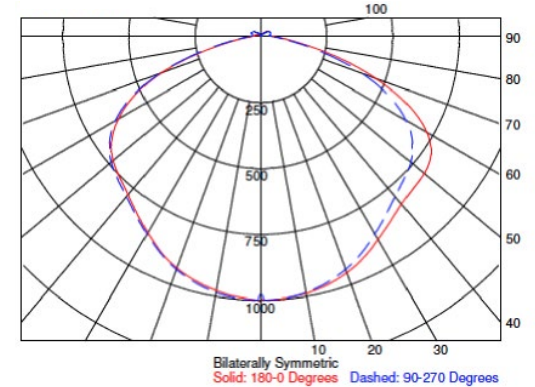
D2D-50WLED-UNIV-4000K-BRP

LUMINAIRE OUTPUT = 3612 Lms
120.0V 0.4276A 50.58W PF=0.986

SUMMARY DATA

HEMISPHERES TESTED:	Both
EFFICIENCY (Total):	100.0%
EFFICIENCY (Downlight):	95.8%
EFFICIENCY (Uplight):	4.2%
CIE CLASSIFICATION:	DIRECT
SPACING CLASSIFICATION (90-DEG):	1.29
LUMENS/LAMP:	3611.979
NO. OF LAMPS:	1
LUMINOUS OPENING: RECTANGULAR:	
DIAMETER:	0.53 (Feet)
Height:	0.13
INPUT WATTS:	50.6

PLANE AND CONE DIAGRAM



Photometric values based upon tests performed in compliance with LM-79. IES files can be downloaded at www.ilp-inc.com

MOUNTING OPTIONS

- Direct Mounting to Wall or Vertical Surface
- Arm Mount Luminaire to Wall or Vertical Surface Use With Supplied Two Section Pipe Arm



Extension Arm
(Included)

Industrial Lighting Products

LED lighting facts
A Program of the U.S. DOE

Light Output (Lumens)	3624
Watts	50.42
Lumens per Watt (Efficacy)	71.9

Color Accuracy
Color Rendering Index (CRI) 81

Light Color
Correlated Color Temperature (CCT): 3826 (Bright White)

All results are according to IESNA LM-79-2005: Approved Method for the Electrical and Photometric Testing of Solid-State Lighting. The U.S. Department of Energy (DOE) verifies product test data and results.

Visit www.lightingfacts.com for the Label Reference Guide.

Registration Number: -3TQP74 (11162214)
Model Number: D2D-50WLED-UNIV-4000K
Type: Luminaire - Area/Recessed